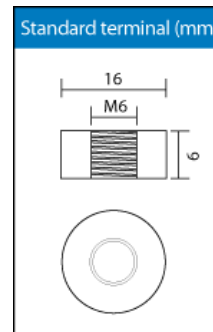
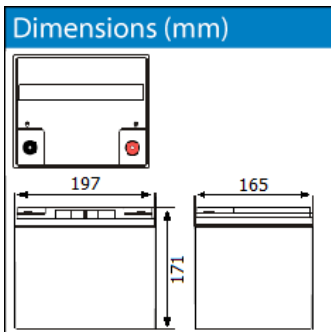


**CPX 50-12**

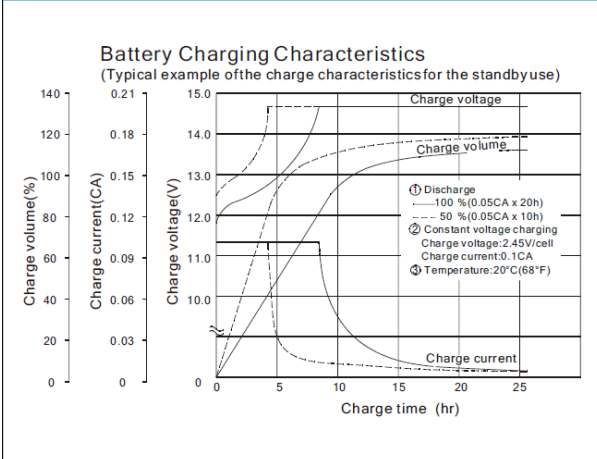


|                                |                            |                |
|--------------------------------|----------------------------|----------------|
| Nominal voltage                | 12 V DC                    |                |
| Nominal Capacity (5HR, 20°C):  | 46 Ah                      |                |
| Nominal Capacity (10HR, 20°C): | 47 Ah                      |                |
| Nominal Capacity (20HR, 20°C): | 50 Ah                      |                |
| Internal resistance            | Approx. 6 m Ω              |                |
| Maximum charging current       | 15.00 A                    |                |
| Maximum discharge current      | 750 A (5 sec.)             |                |
| Number of cycles               | 800 (50% D.O.D.)           |                |
| Operating temperature range    | -20°C ~ 50°C               |                |
| Float use/ cycle use           | 13.5 – 13.8V/ 14.4 – 15.0V |                |
| Standard terminal              | Threaded Insert 6mm        |                |
| Housing material               | ABS                        |                |
| Dimensions                     | length                     | 197 mm         |
|                                | width                      | 165 mm         |
|                                | height                     | 171 mm (±1 mm) |
| Approx. Weight                 | 16.50 kg                   |                |
| Packing                        | 1 pcs/box                  |                |

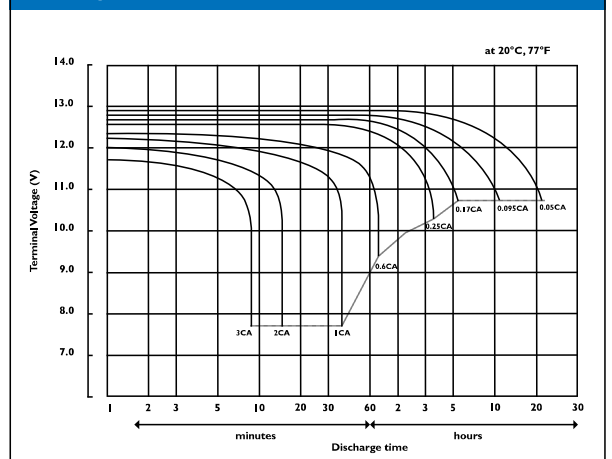
- Typical applications:**
- Electric Vehicle
  - Electric Wheelchairs
  - E-bike
  - Lawn mowers
  - Golf-Carts
  - Medical Equipment
  - Boats

- Valve Regulated Maintenance Free
- Absorbent Glassmat Technology
- Complies with IEC61056, JIS C 8702, GB/T 19639
- Low self discharge
- Classified as non- spillable and Non Dangerous goods by IATA, FAA, ADR, IMDG
- Can be used in any orientation
- Cannot be charged while the terminal is downward.

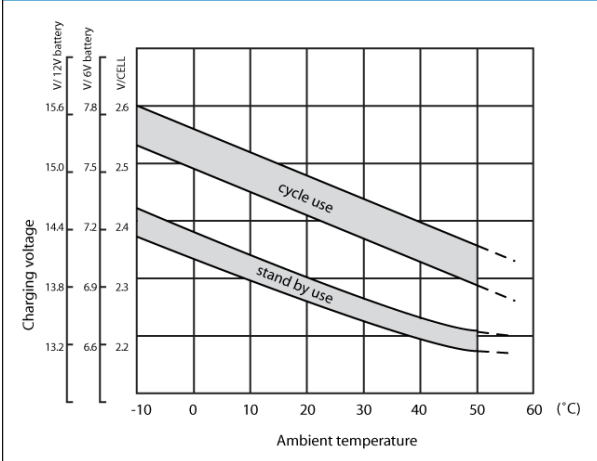
Charging characteristics



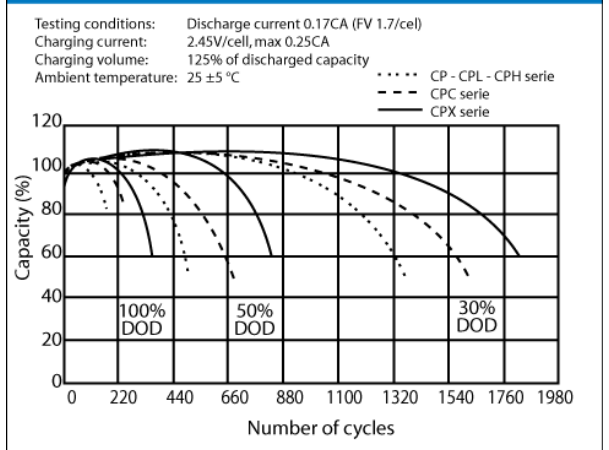
Discharge characteristics curves



Relationship between charging voltage and temperature



Cycle service life in relation to depth and discharge



Models available

| Model        | capacity (Ah) | Dimensions (mm)   | Weight (kg) |
|--------------|---------------|-------------------|-------------|
| CPX 20 - 12  | 20            | 181 x 76 x 166    | 6.45        |
| CPX 26 - 12  | 26            | 175 x 166 x 125   | 9.60        |
| CPX 33 - 12  | 33            | 195 x 129 x 166   | 11.50       |
| CPX 50 - 12  | 50            | 197 x 165 x 171   | 16.50       |
| CPX 80 - 12  | 80            | 261 x 173 x 215.5 | 26.00       |
| CPX 90 - 12  | 90            | 306 x 173 x 215.5 | 29.80       |
| CPX 110 - 12 | 110           | 330 x 173 x 227.5 | 34.30       |